

Box systems



- ▶ TANDEMBOX antaro
- ▶▶ Standard cabinet



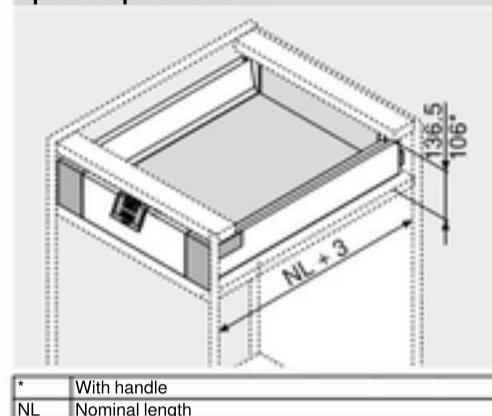
Inner drawer – M

Webcode  
DQC45A



- Concealed, guided full extension – unsurpassed running action – for the lifetime of the furniture
- Steel drawer side and stainless steel
- Tool-free front assembly
- Includes integrated **BLUMOTION** for silent and effortless closing action, can be combined with **SERVO-DRIVE**
- Or with an integrated **TIP-ON** function for handle-less fronts
- Inner drawers either with handle or handle and latch

Space requirement



\* With handle  
NL Nominal length

Order information

1 Cabinet profiles left/right		2 Left/right drawer sides	
right		left	
BLUMOTION			
Nominal length	Dyn. carrying capacity (kg)	Nominal length	Colour
NL (mm)		NL (mm)	SW   TS   R9006 INGL
270	578.2701B	270	378M2702SA 378M2702IA
300	578.3001B	300	378M3002SA 378M3002IA
350	578.3501B	350	378M3502SA 378M3502IA
400	578.4001B	400	378M4002SA 378M4002IA
450	578.4501B	450	378M4502SA 378M4502IA
500	578.5001B	500	378M5002SA 378M5002IA
550	578.5501B	550	378M5502SA 378M5502IA
600	578.6001B	600	378M6002SA 378M6002IA
650	578.6501B	650	378M6502SA 378M6502IA

For the order specification for TIP-ON, see motion technologies section

Incl. cover caps (Can be individually printed – minimum order quantity 1000 items)

3 Back fixing left/right			
Colour	Material	Part no.	
SW   TS   R9006   NI	Steel	Z30M000S.04	

4 Front fixing left/right			
Colour	Material	Part no.	
SW   S   WGR   R7037	Nylon	ZIF.71M0	

Incl. locking piece Z31A0008

5 Front piece without groove			
Colour	Length (mm)	Part no.	
SW   TS   R9006   NI-M	1036	Z31L1036A	

For cutting to size

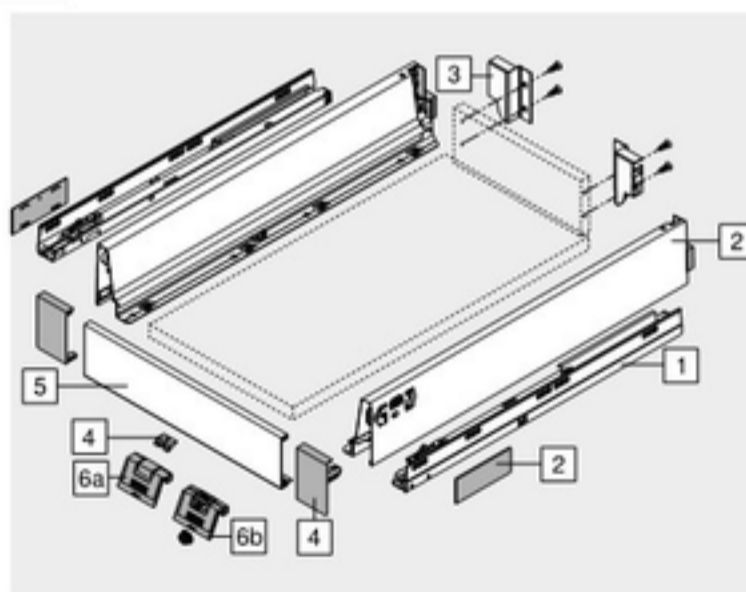
**Cutting** Internal cabinet width LW – 132 mm

a Accessories			
6a Handle			
Colour	Material	Part no.	
SW   S   WGR   R7037	Nylon	ZIF.80M5	

**Alternative to 6a**

6b Handle and latch			
Colour	Material	Part no.	
SW   S   WGR   R7037	Nylon	ZIF.80M7	

Colour		Colour	
SW	Silk white	WGR	White grey
TS	Terra black	R7037	RAL 7037 dust grey
R9006	RAL 9006 grey (white aluminium)	NI	Nickel plated
INGL	Stainless steel (Inox) Anti-fingerprint	NI-M	Matt nickel
S	Black		



- TANDEMBOX antaro
- Standard cabinet

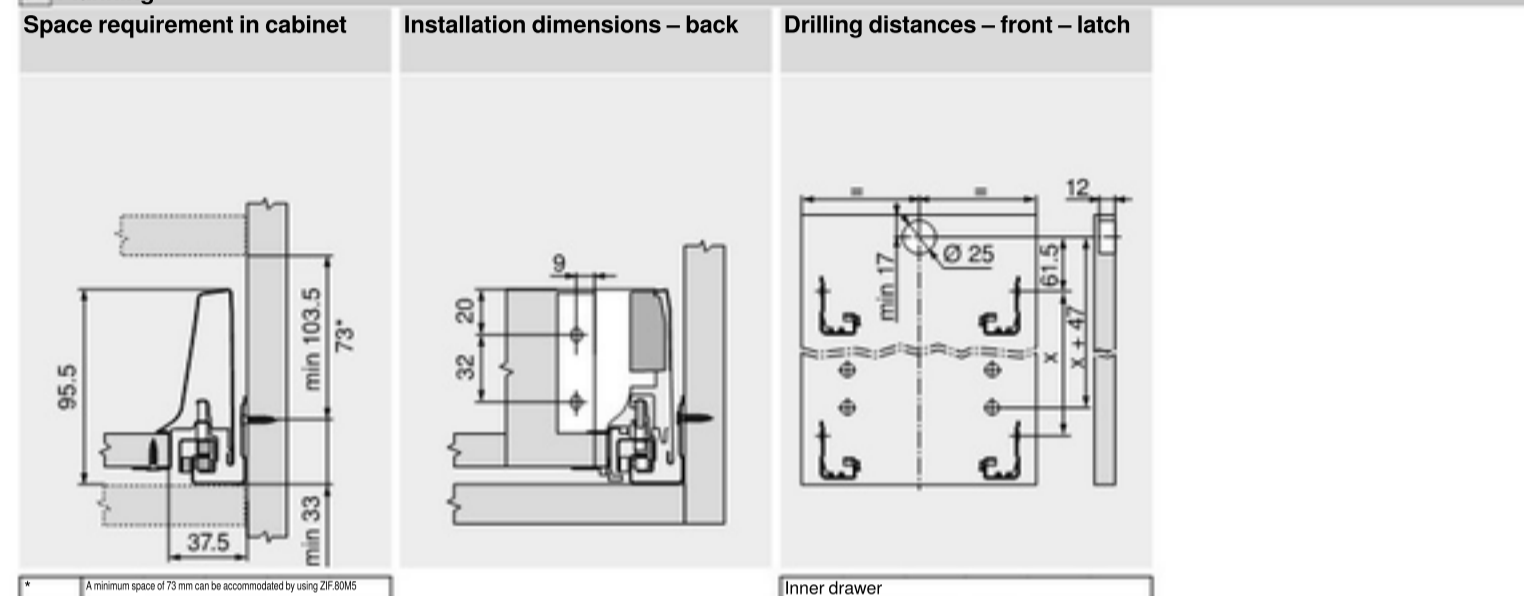


Box systems

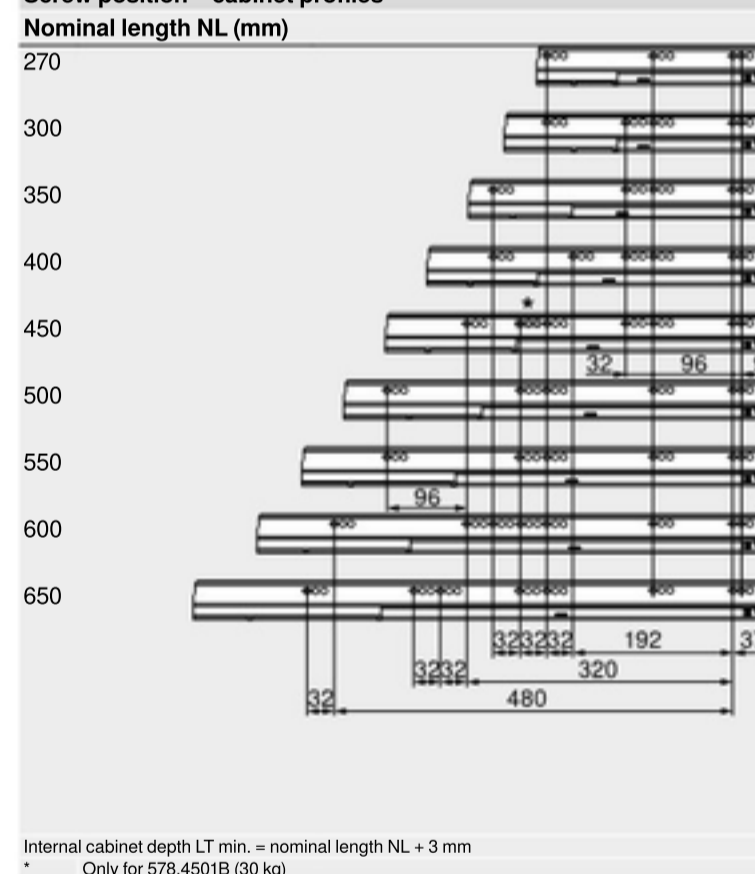
Inner drawer – M

Webcode  
DQC45A

Planning

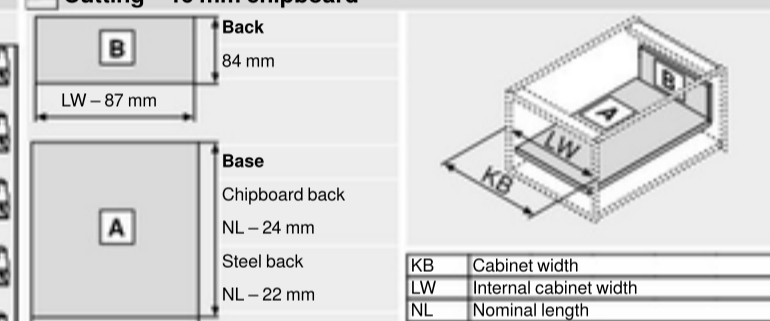


Screw position – cabinet profiles



Internal cabinet depth LT min. = nominal length NL + 3 mm  
\* Only for 578.4501B (30 kg)

Cutting – 16 mm chipboard



Page instructions

Overview – TANDEMBOX antaro	303	Accessories	342
Overview – SERVO-DRIVE for LEGRABOX/TANDEMBOX	555	Cabinet profile fixing positions	350
TIP-ON for TANDEMBOX	664	Assembly, removal and adjustment	352
Overview – ORGA-LINE for TANDEMBOX	509	Overview – assembly devices	683
Accessories – steel back	344	More technical details	774